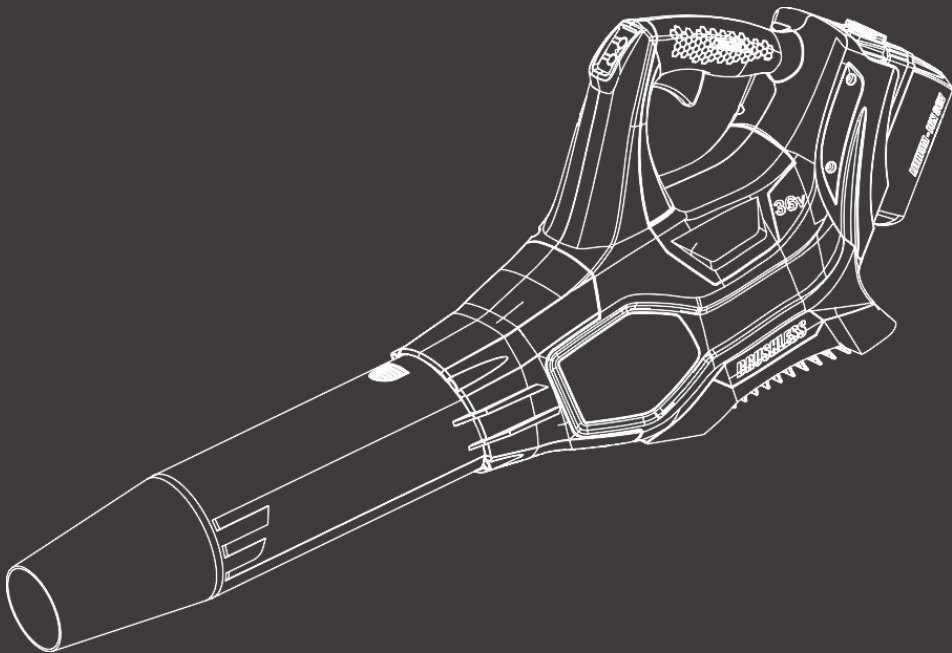


HYUNDAI
POWER PRODUCTS

CORDLESS BLOWER HSEN40V-A

ORIGINAL INSTRUCTIONS



WARNING: Read thoroughly the instruction manual before use.



SAFETY WARNINGS

**IMPORTANT
READ CAREFULLY BEFORE USE.
KEEP FOR FUTURE REFERENCE.**

Safe operating practices for hand-held mains-operated electrical garden vacuums, and garden blower/vacuums with or without shredding means and garden blowers

Training

- Read the instructions carefully. Be familiar with the controls and the correct use of the machine.
- Never allow children or people unfamiliar with these instructions to use the machine.
- Local regulations can restrict the age of the operator.
- Keep in mind, that the operator or user is responsible for accidents or hazards occurring to other people or their property.

Preparation

- Obtain ear protection and safety glasses. Wear them at all times while operating the machine.
- While operating the machine always wear substantial footwear and long trousers.
- Do not operate the machine when barefoot or wearing open sandals. Avoid wearing clothing that is loose fitting or that has hanging cords or ties.
- Do not wear loose clothing or jewellery that can





be drawn into the air inlet.

- Keep long hair away from the air inlets.
- Operate the machine in a recommended position and only on a firm, level surface.
- Do not operate the machine on a paved or gravel surface where ejected material could cause injury.
- Before using, always visually inspect to see, that the bolts and other fasteners are secure, the housing is undamaged and that **guards** and screens are in place. Replace worn or damaged components in sets to preserve balance. Replace damaged or unreadable labels.
- Before use, check the battery for signs of damage or aging. If the battery becomes damaged during use, stop to use the battery and remove it carefully.
- Do not use the machine if the battery is damaged or worn.
- Never operate the machine while people, especially children, or pets are nearby.

Operation

- Before starting the machine, make certain that the feeding chamber is empty.
- Keep your face and body away from the feed intake opening.
- Keep proper balance and footing at all times. Do not overreach. Never stand at a higher level than the base of the machine when feeding material into it.
- Always stand clear of the discharge zone when operating this machine.





- If the cutting mechanism strikes any foreign objects or if the machine should start making any unusual noise or vibration, immediately shut off the power source and allow the machine to stop. Remove the battery from the machine and take the following steps before restarting and operating the machine:
 - inspect for damage;
 - replace or repair any damaged parts;
 - check for and tighten any loose parts.
- Never operate the machine with defective **guards** or shields, or without safety devices
- Keep the power source clean of debris and other accumulations to prevent damage to the power source or possible fire.
- Do not transport this machine while the power source is running.
- Stop the machine, and remove the battery. Make sure that all moving parts have come to a complete stop
 - whenever you leave the machine,
 - before clearing blockages or unclogging chute,
 - before checking, cleaning or working on the machine.
- Do not tilt the machine while the power source is running.

Maintenance and storage

- When the machine is stopped for servicing, inspection, or storage, or to change an accessory, shut off the power source, remove the battery and make sure that the machine is come to a complete





stop. Allow the machine to cool before making any inspections, adjustments, etc. Maintain the machine with care and keep it clean.

- Store the machine in a dry place out of the reach of children.
- Always allow the machine to cool before storing.
- Replace worn or damaged parts for safety. Use only genuine replacement parts and accessories.
- Never attempt to override the interlocked feature of the **guard**.

Additional instructions

- This appliance is not intended for use by persons (including children) with reduced physical, sensory or mental capabilities, or lack of experience and knowledge, unless they have been given supervision or instruction concerning use of the appliance by a person responsible for their safety.
- Children should be supervised to ensure that they do not play with the appliance.
- Do not use the in a way where danger and accident may occur. By example do not use the tool on a ladder, in location where there is a risk of fire or in the presence of dangerous gases, etc.
- Do not overreach and keep the balance at all times.
- Do not allow hands or any other part of the body or clothing inside the feeding chamber, discharge chute, or near any moving part.





▲ WARNING Read all safety warnings and all instructions. *Failure to follow the warnings and instructions may result in electric shock, fire and/or serious injury.* Save all warnings and instructions for future reference.

The appliance is only to be used with the power supply unit provided with the appliance.

- Always be sure of the footing on slopes.
- Walk, never run.
- Always use a full equipment of protection: hearing protection, glasses of protection, gloves, non-skid footwear, helmet, clothes of protection and a mask of protection.
- Always stop the tool and remove the battery when a problem is observed. Inspect the tool, bring maintenance and/or bring it to a qualified service for inspection and reparation.
- Always inspect the tool before and after use. If the tool presents dysfunction or damages, do not use it and bring it to a qualified service for inspection and reparation.
- Check the condition of the battery before use it. Do not use a damaged battery. In case of damaged battery, contact your dealer for a recommend battery for replacement.
- In case of accident of accident or breakdown, stop immediately to use the tool. Bring it to a qualified service for inspection and reparation.
- This tool is intended to be used outdoor for





private purposes. Never use it inside a building.

- Do not expose the tool to rain and humidity.
- Do not use the tool when bad weather.

Safety Warnings for battery pack

- Do not dismantle, open or shred cells of battery pack.
- Do not short-circuit a battery pack. Do not store battery packs in a box or drawer where they may short-circuit each other or be short-circuited by conductive materials. When battery pack is not in use, keep it away from other metal objects, like paper clips, coins, keys, nails, screws or other small metal objects that can make a connection from one terminal to another. Shorting the battery terminals together may cause burns or a fire.
- Do not expose battery pack to heat or fire. Avoid storage in direct sunlight.
- Do not subject battery pack to mechanical shock.
- In the event of battery leaking, do not allow the liquid to come into contact with the skin or eyes. If contact has been made, wash the affected area with copious amounts of water and seek medical advice.
- Seek medical advice immediately if a cell or battery pack has been swallowed.
- Keep battery pack clean and dry.
- Wipe the battery pack terminals with a clean dry cloth if it becomes dirty.
- Battery pack needs to be charged before use. Always refer to this instruction and use the correct charging procedure.
- Do not maintain battery pack on charge when not in





use.

- After extended periods of storage, it may be necessary to charge and discharge the battery pack several times to obtain maximum performance.
- Battery pack gives its best performance when it is operated at normal room temperature ($20\text{ }^{\circ}\text{C} \pm 5\text{ }^{\circ}\text{C}$).
- When disposing of battery packs, keep battery packs of different electro chemical systems separate from each other.
- Recharge only with the provide charger. Do not use any charger other than that specifically provided for use with the equipment. A non-recommended charger can create a risk of accident and fire. In case that the provided charger cannot be use, contact your dealer to have information about recommended charger.
- Do not use any battery pack which is not designed for use with the equipment.
- Keep battery pack out of the reach of children.
- Remove the battery from the equipment when not in use.
- Before charging, read the instructions.
- Do not charge a leaking battery.
- Do not use charger for others purposes. It is suitable only for this tool.
- Before charging, ensure your charger is matching with the local AC supply.
- The charger must be protected from moisture.
- Ensure that the connection between the battery charger and battery is correctly positioned and is not obstructed by foreign objects.
- When charging batteries, ensure that the battery





charger is in a well -ventilated area and away from inflammable materials. Batteries can get hot during charging. Do not overcharge any batteries. Ensure that batteries and chargers are not left unsupervised during charging.

- Do not recharge non-rechargeable batteries, as they can overheat and break.
- Longer life and better performance can be obtained if the battery pack is charged when the air temperature is between 18° and 24°. Do not charge the battery pack in air temperatures below 4.5°, or above 40.5°. This is important as it can prevent serious damage to the battery pack.

Residuals risks

Even if you use this product in compliance with all safety requirements, potential risks of injury and damage remain. The following hazards may arise from the structure and design of this product. Always be vigilant when using this product, so you can recognize and manage the risks early. Rapid intervention can prevent serious injury and property damage. Turn off the tool if there are any malfunctions. Have it checked by a qualified professional and have repairs carried out, if necessary, before using it again.

- There are harmful health consequences resulting from the emission of vibrations if the product is used for long periods of time or not properly managed and properly maintained.





- There is risk of injury and property damage due to attachments or broken the sudden impact of hidden objects.
- Risk of injuries to persons and their property caused by flying objects.
- Prolonged use of this product exposes the operator to vibration and can produce so-called "white finger" disease. To reduce the risk, wear gloves and keep your hands warm. If any of the symptoms of "white finger syndrome" occur, seek immediate medical attention. Symptoms of the "white finger" include numbness, loss of sensitivity, tingling, tingling, and pain, loss of strength, colour changes or skin condition. These symptoms usually appear on the fingers, hands or wrists. Risk increases at low temperatures.
- Inhalation of particles of material blown.
- Unattended projections.
- Contact with foreign objects.
- Contact with the tool in operation.
- Hearing loss in the absence of correct hearing protection.

Intended use

- This blower is to be used for blowing leaves, dust or garden debris into a desired direction. It must not to be used for blowing water, chemical products, flammable material, metal or wood and other dangerous objects.
- This product is intended for private domestic use only. It must be used outdoors.
- This product is not intended to be used in a closed



room and places where exhausted gas and flames can be present.

- The use of this product in case of rain or humid environments is prohibited.
- Any other use might lead to damage of the appliance, property or personal injury.

Symbols



Read instruction manual



Risk of projections! Keep bystanders away



Do not use the tool when raining and do not expose it to humidity



SWITCH OFF: Remove the battery before cleaning or maintenance



Wear hearing protection and glasses of protection



Guarantee sound power level



Failure to keep long hair away from the air inlet could result in personal injury



Failure to keep loose clothing from being drawn into air intake could result in personal injury



Rotating impeller blades can cause severe injury





Fig. 1

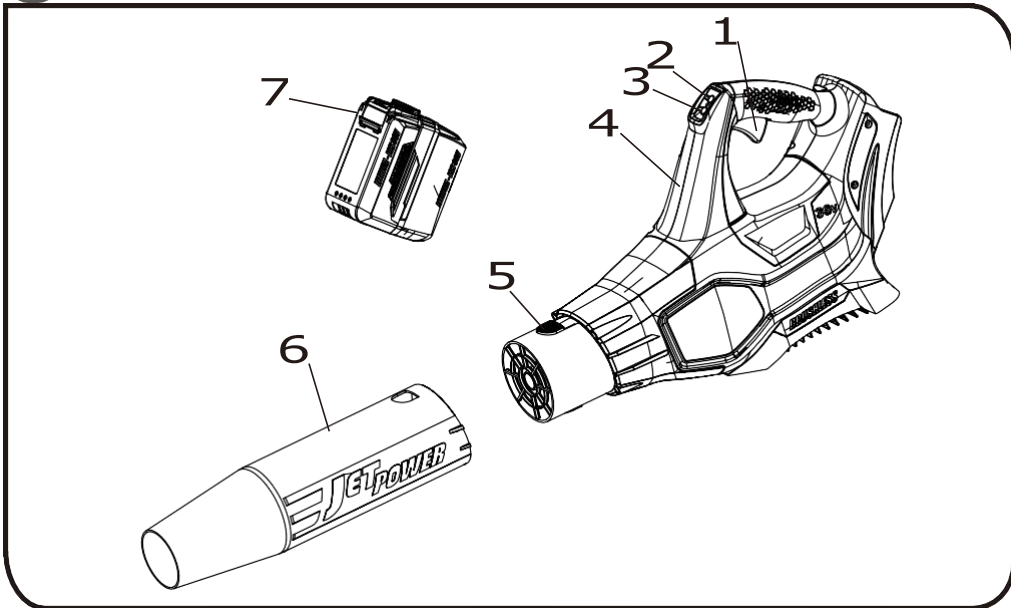


Fig. 2

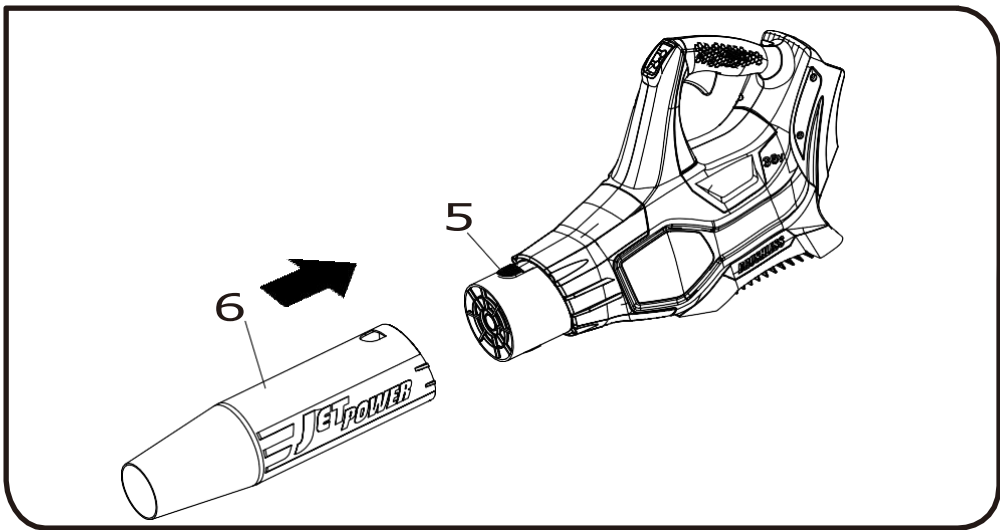




Fig. 3

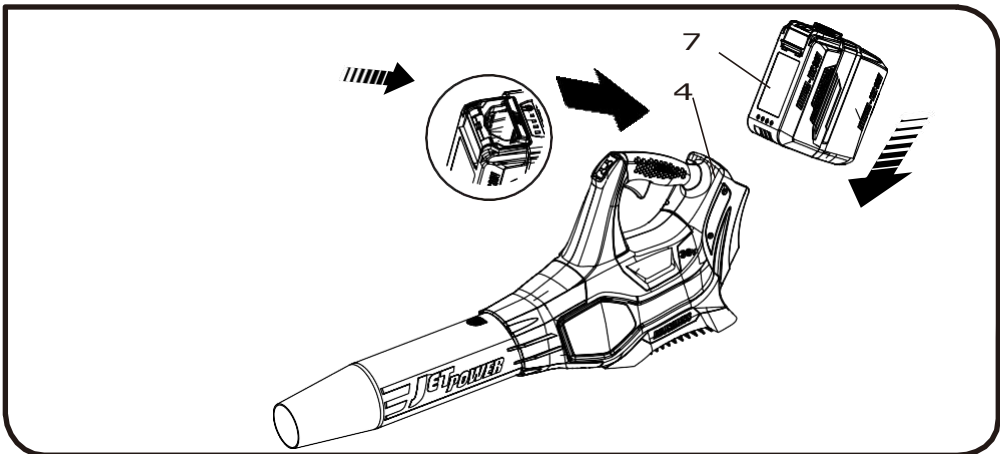


Fig. 4

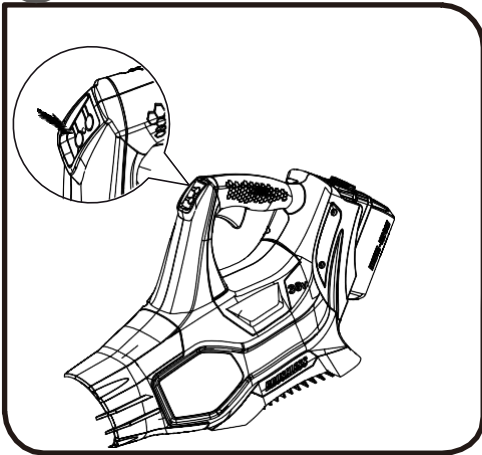
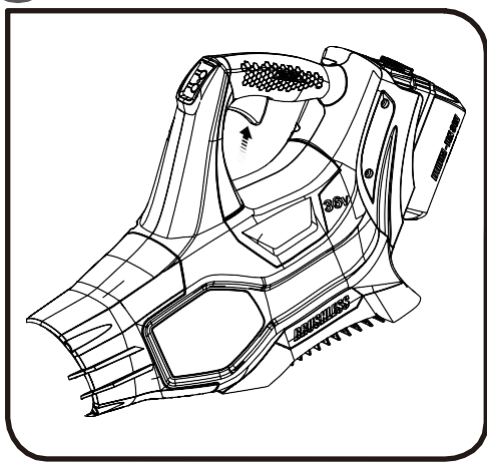


Fig. 5



Note: The battery and charger were not included in pack

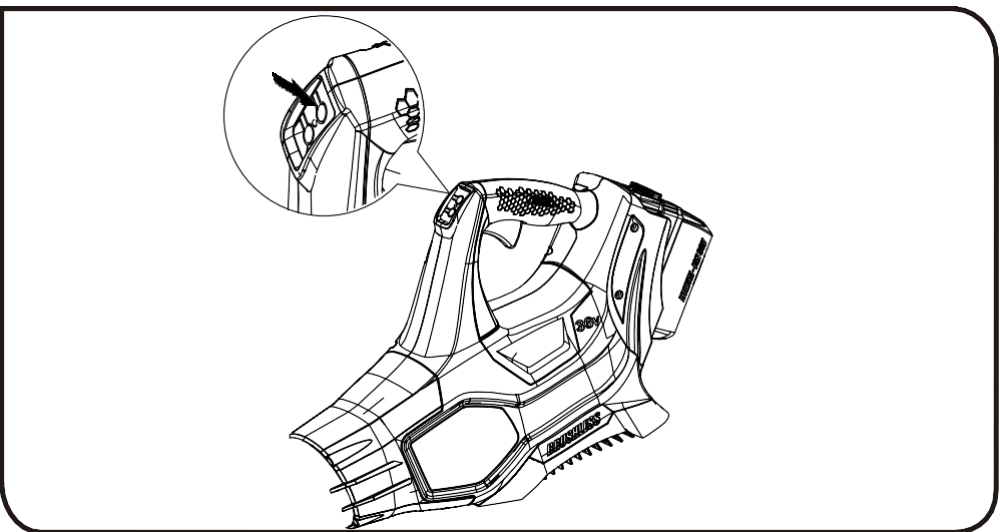




Fig. 6



Fig. 7





DESCRIPTION

1. Trigger
2. Turbo button
3. Lock button
4. Housing
5. Tube latch
6. Blower tube
7. Battery pack (no provided)

KNOW YOUR BLOWER

See Figure 1.

The safe use of this product requires an understanding of the information on the blower and in this operator's manual as well as a knowledge of the project you are attempting. Before use of this product, familiarize yourself with all operating features and safety rules.

BLOWER TUBE

The blower tube can be installed on the blower without using any tools.

ASSEMBLY

To prevent accidental starting that could cause serious personal injury, always remove the battery pack from the blower when assembling parts.

ASSEMBLING THE BLOWER TUBE

See Figure 2.

- Slide blower tube over the blower housing outlet until the tube latch locks into place through the opening in the blower tube.

OPERATION

Do not allow familiarity with tools to make you careless. Remember that a careless fraction of a second is sufficient to inflict serious injury.





INSTALLING BATTERY PACK

See Figure 3.

- Place the battery pack in the blower's battery port. Align the raised rib on the battery pack with the groove in the blower's battery port.
- Make sure the latch on bottom of the battery pack snaps in place and that battery pack is secured in the blower before beginning operation.

When placing battery pack in the blower, be sure the raised ribs on the battery pack align with the grooves in the top of the blower. Make sure the battery is fully seated, and it latches into place properly. Improper installation of the battery pack can cause damage to internal components.

REMOVING BATTERY PACK

See Figure 3.

- Release the trigger to stop the blower.
- Press and hold the latch button at the bottom of the battery pack.
- Remove battery pack from the blower.

CHARGING THE BATTERY

- Align the raised rib on the battery pack with the groove on the battery charger. Plug the charger to the electrical alimentation.
- You can see the charge status by pressing the charge level indicator which is on the battery. The battery is fully charged when all light are switched on.

STARTING /STOPPING THE BLOWER

See Figure 4 and Figure 5

- To start the blower, Press the lock button and push the trigger
- To stop the blower, release the trigger.

Battery tools are always in operating condition. Therefore, operation trigger switch should always be in the OFF (released) position when not in use or carrying/ moving the tool.





!

Do not attempt to modify this tool or create accessories not recommended for use with this tool. Any such alteration or modification is misuse and could result in a hazardous condition leading to possible serious personal injury.

!

Do not at any time let brake fluids, gasoline, petroleum based products, penetrating oils, etc. come in contact with plastic parts. They contain chemicals that can damage, weaken or destroy plastic.

OPERATING THE BLOWER

See Figure 6.

- To keep from scattering debris, blow around the outer edges of a debris pile. Never blow directly into the center of a pile.
- To reduce sound levels, limit the number of pieces of equipment used at any time.
- Use rakes and brooms to loosen debris before blowing. In dusty conditions, slightly dampen surfaces when water is available.
- Conserve water by using power blowers instead of hoses for many lawn and garden applications, including areas such as gutters, screens, patios, grills, porches, and gardens.
- Watch out for children, pets, open windows, or freshly washed cars, and blow debris safely away.
- After using blowers or other equipment, CLEAN UP! Dispose of debris properly. See Figure 7.

Press the turbo button, to reach the maximum speed.

Press this button again to come to the normal speed.

MAINTENANCE AND SERVICING

When servicing use only original manufacturer's replacement parts, accessories and attachments. Use of any other parts may create a hazard or cause product damage.

Avoid using solvents when cleaning plastic parts. Most plastics are susceptible to damage from various types of commercial solvents and may be damaged by their use. Use clean cloths to remove dirt, dust, oil, grease, etc.

To avoid serious personal injury, always remove the battery pack from the tool when cleaning or performing any maintenance.

Do not at any time let brake fluids, gasoline, petroleum based products; penetrating oils, etc. come in contact with plastic parts. They contain chemicals that can damage, weaken or destroy plastic.

Do not attempt to modify this tool or create accessories not recommended for use with this tool. Any such alteration or modification is misuse and could result in a hazardous condition leading to possible serious personal injury.





Maintenance of the tool shall be bring by a qualified service.

STORING THE BLOWER

Clean the blower thoroughly before storing. Store the blower in a dry, well-ventilated place that is inaccessible to children. Keep away from corrosive agents such as garden chemicals and de-icing salts.

- Store and charge your batteries in a cool area. Temperatures above or below normal room temperature will shorten battery pack life.
- Never store batteries in a discharged condition. Wait for battery pack to cool and fully charge immediately.
- All batteries gradually lose their charge. The higher the temperature, the quicker they lose their charge. If you store your unit for long periods of time without using it, recharge the batteries every month or two. This practice will prolong battery pack life.

ENVIRONMENTAL PROTECTION



Recycle raw materials instead of disposing of as waste. The machine, accessories and packaging should be sorted for environmental-friendly recycling.

Disposal of an exhausted battery pack

To preserve natural resources, please recycle or dispose of the battery pack properly. Consult your local waste authority for information regarding available recycling and/or disposal options. Discharge your battery pack by operating your tool, then remove the battery pack from the tool and cover the battery pack connections with heavy duty adhesive tape to prevent short circuit and energy discharge. Do not attempt to open or remove any of the components.

PRODUCT SPECIFICATIO

Cordless Blower	
Motor	36 V d.c. (40V max)
Air Velocity	60m/s (216km/h)
A-weighted sound pressure level:	$L_{pA}=90$ dB(A)
Uncertainty:	$K_{PA} =3.0$ dB(A)
A-weighted sound power level	$L_{WA}=100$ dB(A)
Uncertainty	$K_{PA} =3.0$ dB(A)
Vibration emission value	<2.5 m/s ²
Uncertainty	$K = 1.5$ m/s ²
Weight:	2,4 kg without battery pack
Air volume:	13m ³ /min



CE DECLARATION



BUILDER SAS

ZI, 32, rue Aristide Bergès – 31270 Cugnaux - France
Tel: +33 (0)5.34.502.502 Fax: +33 (0)5.34.502.503

Declares that the machine:

Cordless Blower

HSEN40V-A

Serial No: 20201135738-20201136037

The people name holding the technical file: Mr Olivier Patriarca

Have been designed in compliance with the following standards:

EN 62233:2008

EN 50636-2-100:2014

EN 60335-1:2012+A11:2014

EN 55014-1:2006+A1:2009+A2:2011

EN 55014-2:2015

And in accordance with the following directives:

Directive Machine 2006/42/EC

Directive EMC (EU)2015/863 amending 2011/65/EU

ROHS Directive 2011/65/EU

Noise Directive 2000/14/EC Annex VI & Directive 2005/88/EC

Sound pressure level	LpA=90dB(A) K=3dB(A)
Sound power level declared	LwA.=100dB(A)

Cugnaux, 23/09/2020

Philippe MARIE / PDG

WARRANTY

HYUNDAI

WARRANTY

The manufacturer guarantees the product against defects in material and workmanship for a period of 2 years from the date of the original purchase. The warranty only applies if the product is for household use. The warranty does not cover breakdowns due to normal wear and tear.

The manufacturer agrees to replace parts identified as defective by the designated distributor. The manufacturer does not accept responsibility for the replacement of the machine, in whole or in part, and/or ensuing damage.

The warranty does not cover breakdowns due to:

- insufficient maintenance.
- abnormal assembly, adjustment or operations of the product.
- parts subject to normal wear and tear.

The warranty does not extend to:

- shipping and packaging costs.
- using the tool for a purpose other than that for which it was designed.
- the use and maintenance of the machine done in a manner not described in the user manual.

Due to our policy of continuous product improvement, we reserve the right to alter or change specifications without notice. Consequently, the product may be different from the information contained therein, but a modification will be undertaken without notice if it is recognized as an improvement of the preceding characteristic.

READ THE MANUAL CAREFULLY BEFORE USING THE MACHINE.

When ordering spare parts, please indicate the part number or code, you can find this in the spare parts list in this manual. Keep the purchase receipt; without it, the warranty is invalid. To help you with your product, we invite you to contact us by phone or via our website:

- **+33 (0)9.70.75.30.30**
- **<https://services.swap-europe.com/contact>**

You must create a "ticket" via the web platform.

- Register or create your account.
- Indicate the reference of the tool.
- Choose the subject of your request.
- Describe your problem.
- Attach these files: invoice or sales receipt, photo of the identification plate (serial number), photo of the part you need (for example: pins on the transformer plug which are broken).



PRODUCT FAILURE

WHAT TO DO IF MY MACHINE BREAKS DOWN?

If you bought your product in a store:

- a) Empty the fuel tank.
- b) Make sure that your machine is complete with all accessories supplied, and clean! If this is not the case, the repairer will refuse the machine.

Go to the store with the complete machine and with the receipt or invoice.

If you bought your product on a website:

- a) Empty the fuel tank.
- b) Make sure that your machine is complete with all accessories supplied, and clean! If this is not the case, the repairer will refuse the machine.
- c) Create a SWAP-Europe service ticket on the site: <https://services.swap-europe.com> When making the request on SWAP-Europe, you must attach the invoice and the photo of the nameplate (serial number).
- d) Contact the repair station to make sure it is available before dropping off the machine.

Go to the repair station with the complete machine packed, accompanied by the purchase invoice and the station support sheet downloadable after the service request is completed on the SWAP-Europe site

For machines with engine failure from manufacturers BRIGGS & STRATTON, HONDA and RATO, please refer to the following instructions.

Repairs will be done by approved engine manufacturers of these manufacturers, see their site:

- <http://www.briggsandstratton.com/eu/fr>
- <http://www.honda-engines-eu.com/fr/service-network-page;jsessionid=5EE8456CF39CD572AA2AEEDFD290CDAE>
- <https://www.rato-europe.com/it/service-network>

Please keep your original packaging to allow for after-sales service returns or pack your machine with a similar cardboard box of the same dimensions.

For any question concerning our after-sales service you can make a request on our website <https://services.swap-europe.com>

Our hotline remains available at +33 (9) 70 75 30 30.



WARRANTY EXCLUSIONS

THE WARRANTY DOES NOT COVER:

- Start-up and setting up of the product.
- Damage resulting from normal wear and tear of the product.
- Damage resulting from improper use of the product.
- Damage resulting from assembly or start-up not in accordance with the user manual.
- Breakdowns related to carburetion beyond 90 days and fouling of carburetors.
- Periodic and standard maintenance events.
- Actions of modification and dismantling that directly void the warranty.
- Products whose original authentication marking (brand, serial number) has been degraded, altered or withdrawn.
- Replacement of consumables.
- The use of non-original parts.
- Breakage of parts following impacts or projections.
- Accessories breakdowns.
- Defects and their consequences linked to any external cause.
- Loss of components and loss due to insufficient screwing.
- Cutting components and any damage related to the loosening of parts.
- Overload or overheating.
- Poor power supply quality: faulty voltage, voltage error, etc.
- Damages resulting from the deprivation of enjoyment of the product during the time necessary for repairs and more generally the costs related to the immobilization of the product.
- The costs of a second opinion established by a third party following an estimate by a SWAP-Europe repair station
- The use of a product which would show a defect or a breakage which was not the subject of an immediate report and/or repair with the services of SWAP-Europe.
- Deterioration linked to transport and storage*.
- Launchers beyond 90 days.
- Oil, petrol, grease.
- Damages related to the use of non-compliant fuels or lubricants.

* In accordance with transport legislation, damage related to transport must be declared to carriers within 48 hours maximum after observation by registered letter with acknowledgement of receipt.

This document is a supplement to your notice, a non-exhaustive list.

Attention: all orders must be checked in the presence of the delivery person. In case of refusal by the delivery person, it you must simply refuse the delivery and notify your refusal.

Reminder: the reserves do not exclude the notification by registered letter with acknowledgement within 72 hours.

Information:

Thermal devices must be wintered each season (service available on the SWAP-Europe site). Batteries must be charged before being stored.

HYUNDAI
POWER PRODUCTS

For Inquiries, please contact:

BUILDER SAS

32, rue Aristide Bergès Z1 31270 Cugnaux, France

Tél. : +33 (0) 5.34.502.502 Fax : +33 (0) 5.34.502.503

<http://www.hyundai-power-fr.com/>

Fabriqué en République Populaire de Chine (PRC)